


Low Frequency Solar Inverter/Charger PV3000 VPM Series (1000VA-3000VA)



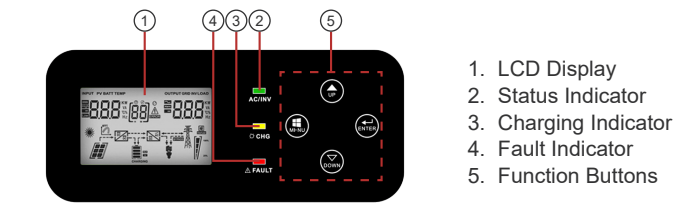
Features

- 3 Steps charging
- Overload and short-circuit protection
- Set charging voltage/charging current
- Battery low voltage shutdown point can be set to 10 / 10.5 / 11 / 11.5V
- Power-save mode
- Set utility priority/battery priority
- Set utility input wide/narrow range
- Inverter voltage can be set to 110V/115V/120V or 220V/230V/240V
- Inverter frequency can be set to 50Hz/60Hz
- Set utility charging on/off switch
- Inbuilt with 60A MPPT Solar Charge Controller
- Acid or Lithium Select
- WiFi port (optional)

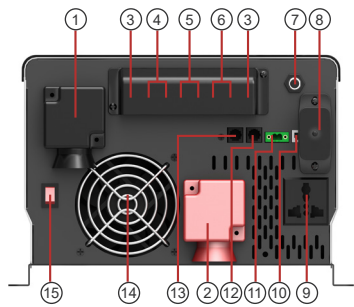
Introduction

PV3000 VPM series is very economical pure sine wave solar inverter, inbuilt with 60A MPPT Charger and AC Charger from 20A to 60A; Solar/AC priority is configurable, when setting solar priority, solar will charge batteries as first priority, and AC can also charge batteries when solar charger current is too lower, in this way system charge is optimized best. It enables inverter to operate with all kinds of home appliances.

Back panel printing description



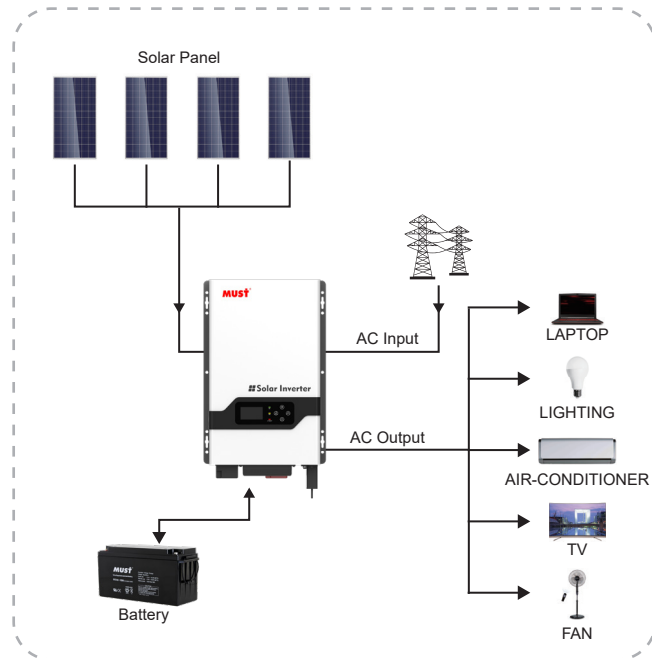
1. LCD Display
2. Status Indicator
3. Charging Indicator
4. Fault Indicator
5. Function Buttons



[PV3000 VHM 1-3K]

- | | | |
|--------------|-----------------------|-------------------------|
| 1. BAT - | 6. PV Input | 11. AGS |
| 2. BAT + | 7. AC Input protect | 12. Remote port |
| 3. GND | 8. Wifi (optional) | 13. BTS |
| 4. AC Input | 9. AC Output 10A(MAX) | 14. FAN |
| 5. AC Output | 10. USB | 15. Power on/off switch |

Solar system connection



Specification

MODEL		PV30-1K VPM		PV30-1.5K VPM		PV30-2K VPM		PV30-3K VPM		
Nominal Battery System Voltage		12VDC	24VDC	12VDC	24VDC	12VDC	24VDC	24VDC		
INVERTER OUTPUT	Rated Power	1000VA		1500VA		2000VA		3000VA		
	Surge Rating	3000VA		4500VA		6000VA		9000VA		
	Capable Of Starting Electric Motor	1HP		1HP		1HP		2HP		
	Waveform	Pure sine wave / same as input (bypass mode)								
	Nominal Output Voltage RMS	110V / 115V / 120V / 220V / 230V / 240VAC (±10% RMS)								
	Output Frequency	50Hz / 60Hz ±0.3Hz								
	Inverter Efficiency (Peak)	>88%								
	Line Mode Efficiency	>95%								
	Power Factor	0.7								
	Typical Transfer Time	10ms(max)								
AC INPUT	Voltage	230VAC								
	Selectable Voltage Range	96~132VAC 155~280VAC(For personal computers)								
	Frequency Range	50Hz / 60Hz(Auto sensing) 40~80Hz								
BATTERY	Minimum Start Voltage	(10V / 10.5V / 11V / 11.5V)+0.5V for 12VDC mode (*2 for 24VDC, *4 for 48VDC)								
	Low Battery Alarm	(10V / 10.5V / 11V / 11.5V)+0.5V for 12VDC mode (*2 for 24VDC, *4 for 48VDC)								
	Low Battery Cut Off	10V / 10.5V / 11V / 11.5V for 12VDC mode (*2 for 24VDC, *4 for 48VDC)								
	High Voltage Alarm	(13.8-14.5V)+1V for 12VDC mode (*2 for 24VDC, *4 for 48VDC)								
	High Battery Voltage Recover	(13.8-14.5V)+0.5V for 12VDC mode (*2 for 24VDC, *4 for 48VDC)								
	Idle Consumption-Search Mode	Load ≤50±20W(120V)/100±20W(220V)								
CHARGER	Output Voltage	Depends on battery type								
	Charge AC Input Breaker Rating	120V	1K/12A	1.5K/16A	2K/30A	3K/40A				
		230V	1-1.5K/10A			2-3K/30A				
	Overcharge Protection S.D.	15.7VDC for 12VDC mode (*2 for 24VDC mode)								
	Maximum Charge Current	30A	20A	45A	25A	60A	30A	40A		
BYPASS & PROTECTION	Input Voltage Waveform	Sine wave (grid or generator)								
	Nominal Input Frequency	50Hz or 60Hz								
	Overload Protection (SMPS Load)	Circuit breaker								
	Output Short Circuit Protection	Circuit breaker								
	AC Input Breaker	1-3K/30A								
SOLAR CHARGER	Maximum PV Array Power	1000W	2000W	1000W	2000W	1000W	2000W	2000W		
	Maximum PV Charge Current	60A								
	DC Voltage	12V / 24V auto work								
	MPPT Range @ Operating Voltage	12V: 16~75VDC; 24V: 32-100VDC								
	Maximum PV Array Open Circuit Voltage	12V:75VDC; 24V:100VDC								
	Standby Power Consumption	<2W								
MECHANICAL SPECIFICATIONS	Mounting	Wall Mount								
	Dimensions (W*H*D)	302.8*460*199.8mm								
	Package Dimensions (W*H*D)	/								
OTHER	Operation Temperature Range	0°C to 40°C								
	Storage Temperature	-15°C to 60°C								
	Audible Noise	60dB MAX								
	Display	LED+LCD								
	Standard Warranty	1 year								