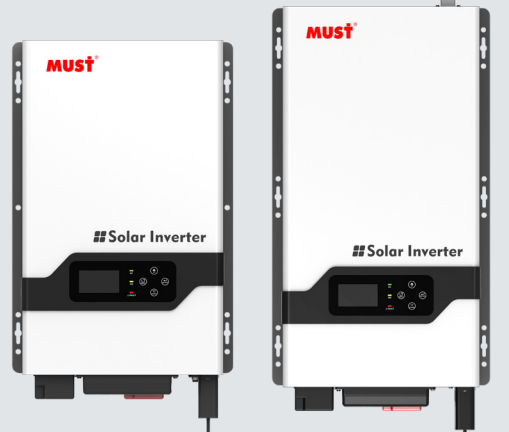


Low Frequency Solar Inverter/Charger

PV3000 VHM Series (1KW-6KW)



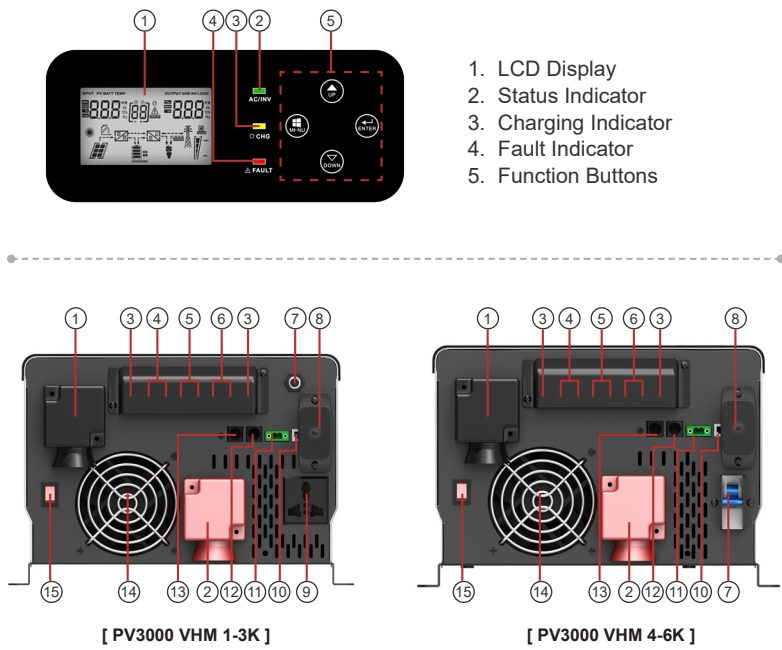
Features

- 3 Steps charging
- Overload and short-circuit protection
- Set charging voltage/charging current
- Battery low voltage shutdown point can be set to 10/10.5/11V/11.5V
- Power-save mode
- Set utility priority /battery priority
- Set utility input wide/narrow voltage range
- Inverter voltage can be set to 220V/230V/240V
- Inverter frequency can be set to 50Hz/60Hz
- Set utility charging on/off switch
- Inbuilt 80A MPPT Solar Charge Controller
- Acid or Lithium Select
- WiFi port

Introduction

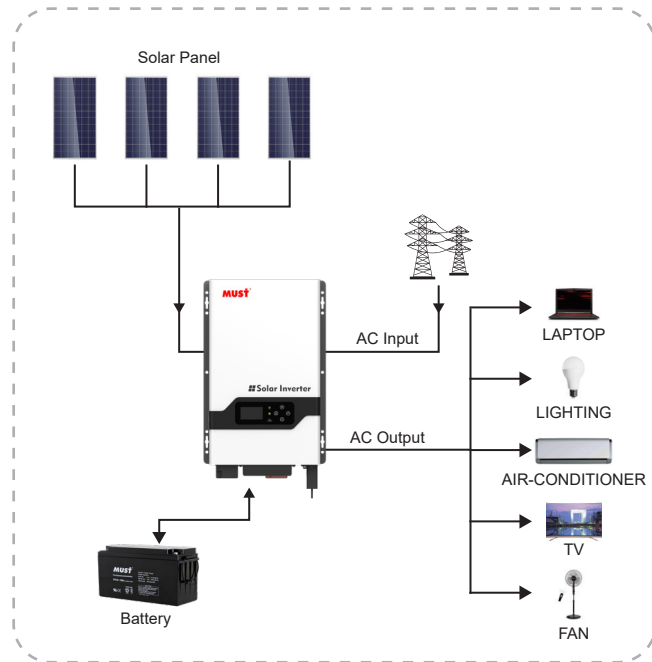
PV3000 VHM series is very economical pure sine wave solar inverter, Inbuilt with 80A MPPT charger; Solar/AC priority is configurable, when setting solar priority, solar will charge batteries as first priority, and AC can also charge batteries when solar charger current is too lower, in this way system charge is optimized best. it enables inverter to operate with all kinds of home appliances.

Back panel printing description



- | | | |
|--------------|-----------------------|-------------------------|
| 1. BAT - | 6. PV Input | 11. AGS |
| 2. BAT + | 7. AC Input protect | 12. Remote port |
| 3. GND | 8. Wifi (optional) | 13. BTS |
| 4. AC Input | 9. AC Output 10A(MAX) | 14. FAN |
| 5. AC Output | 10. USB | 15. Power on/off switch |

Solar system connection



Specification

MODEL	PV30-1KW VHM		PV30-1.5KW VHM		PV30-2KW VHM		PV30-3KW VHM		PV30-4KW VHM		PV30-5KW VHM		PV30-6KW VHM		
	12VDC	24VDC	12VDC	24VDC	12VDC	24VDC	24VDC	48VDC	24VDC	48VDC	48VDC	48VDC	48VDC	48VDC	
Nominal Battery System Voltage		12VDC 24VDC		12VDC 24VDC		12VDC 24VDC		24VDC 48VDC		24VDC 48VDC		48VDC 48VDC			
INVERTER OUTPUT	Rated Power	1 KW		1.5 KW		2 KW		3 KW		4 KW		5 KW		6 KW	
	Surge Rating	3000VA		4500VA		6000VA		9000VA		12000VA		15000VA		18000VA	
	Capable Of Starting Electric Motor	1HP		1HP		1HP		2HP		2HP		3HP		3HP	
	Waveform	Pure sine wave / same as input (bypass mode)													
	Nominal Output Voltage RMS	220V / 230V / 240VAC (±10% RMS)													
	Output Frequency	50Hz / 60Hz ±0.3Hz													
	Inverter Efficiency (Peak)	>88%													
	Line Mode Efficiency	>95%													
	Power Factor	1.0													
	Typical Transfer Time	10ms(max)													
AC INPUT	Voltage	230VAC													
	Selectable Voltage Range	150~265VAC(For personal computers)													
	Frequency Range	50Hz / 60Hz(Auto sensing) 40~80Hz													
BATTERY	Minimum Start Voltage	(10V / 10.5V / 11V / 11.5V)+0.5V for 12VDC mode (*2 for 24VDC, *4 for 48VDC)													
	Low Battery Alarm	(10V / 10.5V / 11V / 11.5V)+0.5V for 12VDC mode (*2 for 24VDC, *4 for 48VDC)													
	Low Battery Cut Off	10V / 10.5V / 11V / 11.5V for 12VDC mode (*2 for 24VDC, *4 for 48VDC)													
	High Voltage Alarm	(13.8-14.5V)+1V for 12VDC mode (*2 for 24VDC, *4 for 48VDC)													
	High Battery Voltage Recover	(13.8-14.5V)+0.5V for 12VDC mode (*2 for 24VDC, *4 for 48VDC)													
	Idle Consumption-Search Mode	Load ≤50±20W(120V)/100±20W(220V)													
CHARGER	Output Voltage	Depends on battery type													
	Overcharge Protection S.D.	15.7VDC for 12VDC mode (*2 for 24VDC mode, *4 for 48VDC mode)													
	Maximum Charge Current	30A	20A	45A	25A	60A	30A	40A	20A	60A	30A	35A	40A	40A	40A
BYPASS & PROTECTION	Input Voltage Waveform	Sine wave (grid or generator)													
	Nominal Input Frequency	50Hz or 60Hz													
	Overload Protection (SMPS Load)	Circuit breaker													
	Output Short Circuit Protection	Circuit breaker													
	AC Input Breaker	1-3K/30A						4-6K/50A							
SOLAR CHARGER	Maximum PV Array Power	1250W	2500W	1250W	2500W	1250W	2500W	2500W	5000W	2500W	5000W	5000W	5000W	5000W	
	Maximum PV Charge Current	80A±4A													
	DC Voltage	12V / 24V auto work						24V / 48V auto work							
	MPPT Range @ Operating Voltage	16~100VDC @ 12V/32~145VDC @ 24V						32~145VDC @ 24V/64~145VDC @ 48V							
	Maximum PV Array Open Circuit Voltage	145VDC													
	Standby Power Consumption	<2W													
MECHANICAL SPECIFICATIONS	Mounting	Wall Mount													
	Dimensions (W*H*D)	302.8*460*199.8mm						305.4*531*200.3mm							
	Package Dimensions (W*H*D)	/													
OTHER	Operation Temperature Range	0°C to 40°C													
	Storage Temperature	-15°C to 60°C													
	Audible Noise	60dB MAX													
	Display	LED+LCD													
	Standard Warranty	1 year													