


# ON/OFF Grid High Frequency Hybrid Solar Inverter

## PH1100 PRO Series (4-6KW)



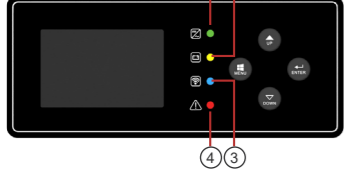
### Features

- Wide range of MPPT voltage:120-500V
- Multiple operation modes: Grid-tie,off grid with storage backup
- Support LCD display&Smart LCD setting
- Available Export control CT sensor function
- Multiple communications:USB,RS485,GPRS and wifi etc
- Monitoring inverters freely via computers or mobile phones
- Full protection function:Over-voltage,over-frequency, over-current, over-temperature,and AC short-circuit automatic protection
- Intelligent BMS battery management function
- Fanless low-noise design
- IP65 Dust-proof and water-proof

### Introduction

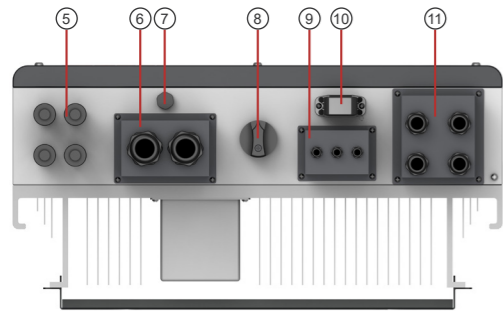
This is a flexible and intelligent energy storage solar inverter with a wide range of MPPT Voltage. Combining functions of off grid and on grid. This hybrid solar inverter can power all kinds of appliances in home or office, and can also be used in power stations.

### Back panel printing description



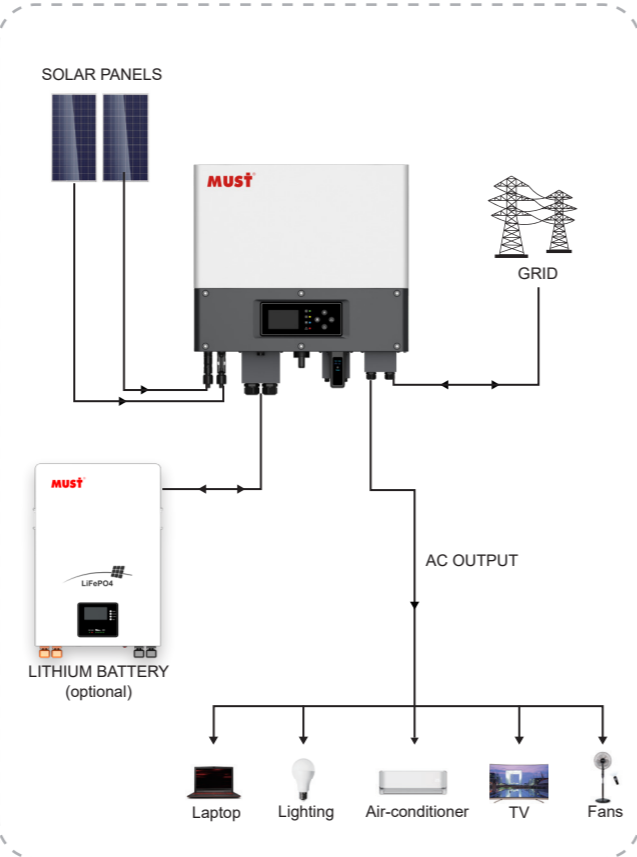
1. The inverter operation status indicator
2. Battery indicator
3. WiFi status indicator
4. Fault indicator

---



5. PV input terminals
6. Battery input terminals and cover
7. Breather valve
8. PV input switch
9. BTS terminals, BMS terminals, load monitor terminals, dry contact terminals, CAN communication terminals, USB terminal and cover
10. Wi-Fi commodule
11. AC output terminals and cover

### Solar system connection



### Specification

MODEL	PH11-3648 PRO	PH11-4048 PRO	PH11-4648 PRO	PH11-5048PRO	PH11-6048 PRO	
<b>RATED POWER</b>	3600W	4000W	4600W	5000W	6000W	
<b>Nominal Battery System Voltage</b>	48V					
<b>PV INPUT(DC)</b>	Maximum recommended DC power	4000W	5000W	5500W	6000W	7000W
	Nominal DC operating voltage	360V				
	Maximum DC voltage	500V				
	MPPT voltage range	120V~500V				
	Maximum input current	15A / 15A				
	No. of MPP tracker	2				
	Strings per MPP tracker	1				
<b>INVERTER OUTPUT(AC)</b>	Nominal AC output power	3600W	4000W	4600W	5000W	6000W
	Nominal output voltage; range	220/230/240V;180-280V				
	AC grid frequency; range	50/60Hz; 45~55/55-65Hz				
	Nominal output current	15.6A	17.5A	20A	21.7A	26A
	Maximum output current	16A	18.1A	20.8A	22.7A	27.2A
	Inrush current (spike/duration)	57.5A/5.2us				
	Total harmonic distortion i (THDi)	<3%				
	Power factor at rated power	1				
	Displacement power factor	0.8leading ~ 0.8lagging				
	Grid type	Single phase				
	<b>BATTERY MODE OUTPUT(AC)</b>	Output Rated Power	3600W	4000W	4600W	5000W
Nominal output voltage; accuracy range		230±1%				
Output ferequency; accuracy range		50/60Hz (optional)±0.2%				
Output rated current		15.6A	17.5A	20A	21.7A	26A
Output waveform		Pure sine wave				
Peak power		5400W,10s	6000W,10s	6900W,10s	7500W,10s	9000W,10s
Total harmonic distortion v (linear load)		<3%				
<b>BATTERY &amp; CHARGER</b>	Battery type	Lead-acid battery / Lithium battery				
	Battery voltage	48V				
	Battery voltage range	40~60V				
	Charging curve	3-stage adaptive with maintenance				
	Protection	Over-current protection / Over-temperature protection				
	Maximum charging power	3600W	4000W	4600W	5000W	6000W
<b>EFFICIENCY</b>	Maximum efficiency	97.1%				
	Euro-efficiency	96.5%				
	MPPT efficiency	99.8%				
<b>PROTECTION DEVICES</b>	DC switch rating for each MPPT	Yes				
	Grid monitoring	Yes				
	Output over current protection	Yes				
	Output overvoltage protection-varistor	Yes				
	Ground fault monitoring	Yes				
<b>GENERAL</b>	Integrated all-pole sensitive leakage current	Yes				
	Machine Dimension (W*H*D)	480*420*215mm				
	Package Dimension (W*H*D)	/				
	G.W	27kg				
	N.W	/				
	DC connection	H4 / MC4				
	AC connection	Terminal Block				
	Display	LED+LCD				
	Communication interfaces	Wi-Fi / USB / GPRS / RS485				
	Ingress protection rating	IP65				
	Humidity	0~95% RH(No condensing)				
Operating temperature range	-20°C +60°C With derating above 45°C					
Cooling concept	Natural					
Altitude	<3000m					

The technical specifications of this document are subject to change without any notice