

SOLAR INVERTER WITH LITHIUM BATTERY SOLUTION

MUST®

May the power be with you



HBP3000 Series

The MUST HBP3000 Series is with a ground-breaking LiFePO4 battery pack 6.4kwh or 12.8kwh energy storage, pure sine wave solar inverter inbuilt. Versatile energy storage system as your home strong back up, reliable access to power sources anytime. This class-leading power station brings you the power to run your daily consumes, family camping trip, cabin workshops, or even whole house for a day or two days power back up depending on your demands.



Inverter Module

Low Frequency Solar Inverter can output the direct current(DC) from the rooftop solar PV array into alternating current(AC), so your home or business loading can use it directly.

Battery Module

The MUST HBP3000 Series is with a ground-breaking LiFePO4 battery pack, that offers multiple energy storage options through, which further simplifies installation and O&M with multiple smart functions.

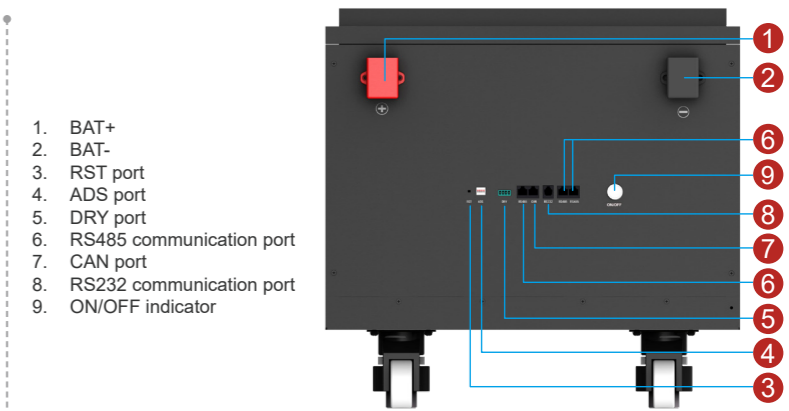
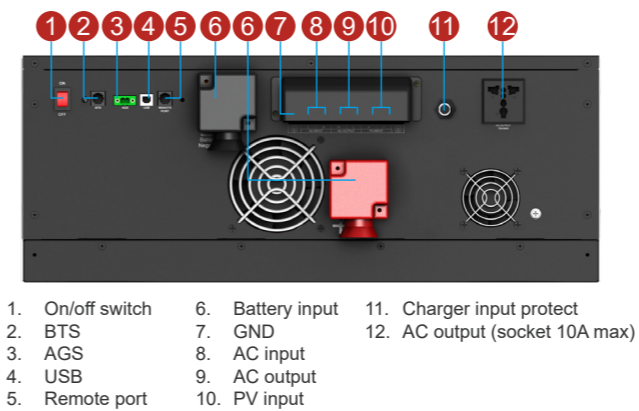
SOLAR INVERTER WITH LITHIUM BATTERY SOLUTION HBP3000 SERIES

MUST®

Specifications

MODEL		HBP30-1524	HBP30-2024	HBP30-3024	HBP30-5048	HBP30-6048	
Inverter	Rated power	1500	2000W	3000W	5000W	6000W	
	Output voltage waveform	Pure sine wave					
	Output voltage regulation	220V/230V/240V ±10%					
	Output frequency	50Hz or 60Hz (±0.2Hz)					
	Peak efficiency	88%					
	Nominal DC input voltage	24Vdc			48Vdc		
	Standby Consumption	< 2W					
PV Input	Max solar power input	2500W			5000W		
	PV max charging current	80A					
	Combined charging current	80A					
	Max efficiency	98% max					
	PV array open circuit voltage	145V					
	PV Array MPPT Voltage Range	32~130VDC			64~130VDC		
AC Input	AC input voltage	230Vac ±5%					
	Acceptable input voltage range	155~280VAC(For personal computers)					
	Nominal input frequency	50Hz / 60Hz (Auto detection)					
	Transfer time	10ms(max)					
AC Charge	Charging current @ Nominal input voltage	25A	30A	40A	35A	40A	
	Charging Algorithm	4-step (Li)					
Output	AC output	Terminal & Socket (10A max)					
	Energy	6400wh			12800wh		
Lithium Battery	Nominal voltage	25.6V			51.2V		
	Battery capacity	250Ah					
	Standard charging and discharge current	100A					
	Maximum continuous charging & discharge current	100A					
	Operation ambient temperature	Charge	-10~50°C				
		Discharge	-20~55°C				

Pic of Input & Output Port



The technical specifications of this document are subject to change without any notice